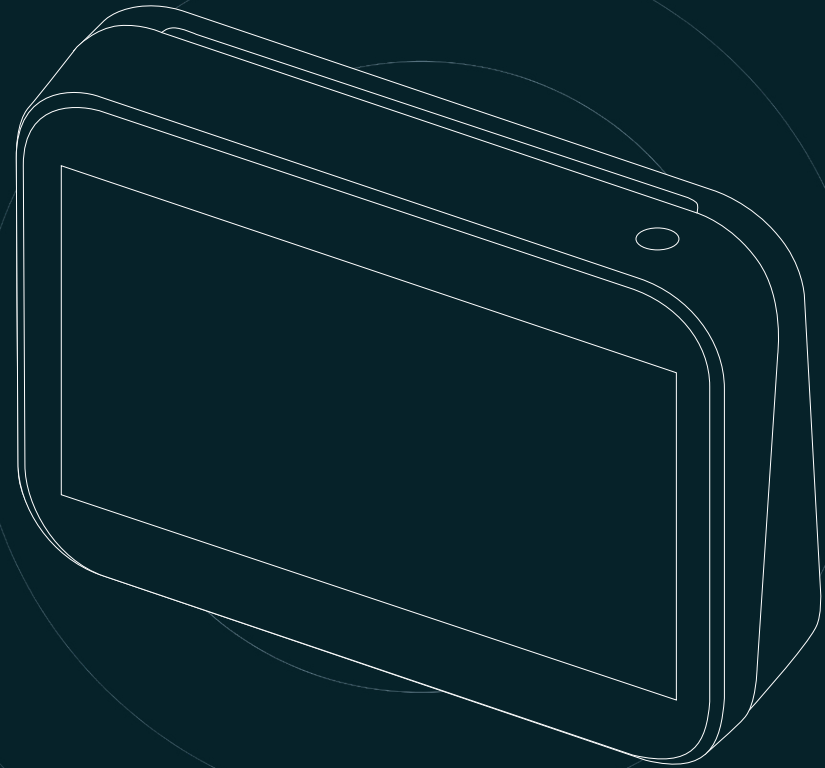
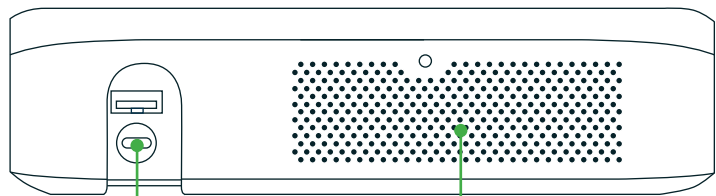




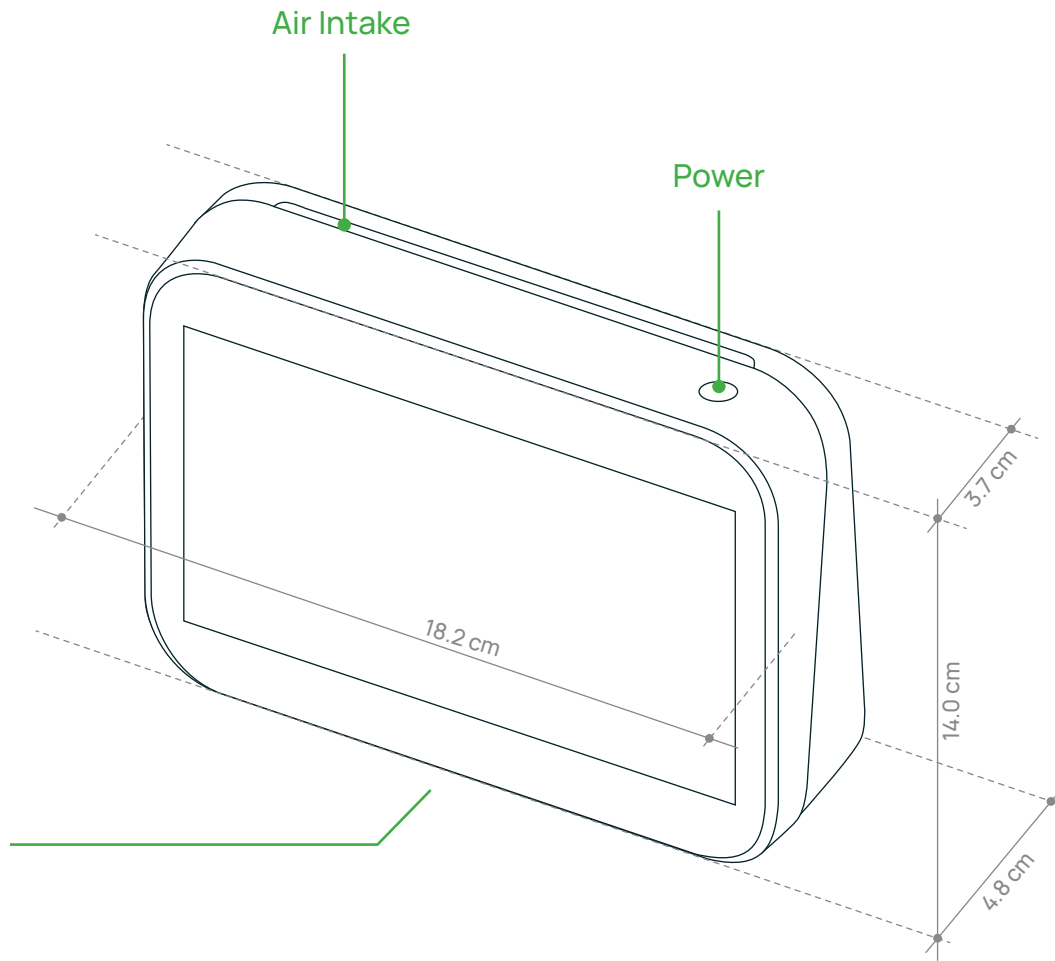
Sensedge Installation Guide





Cable Input

Air Output



Air Intake

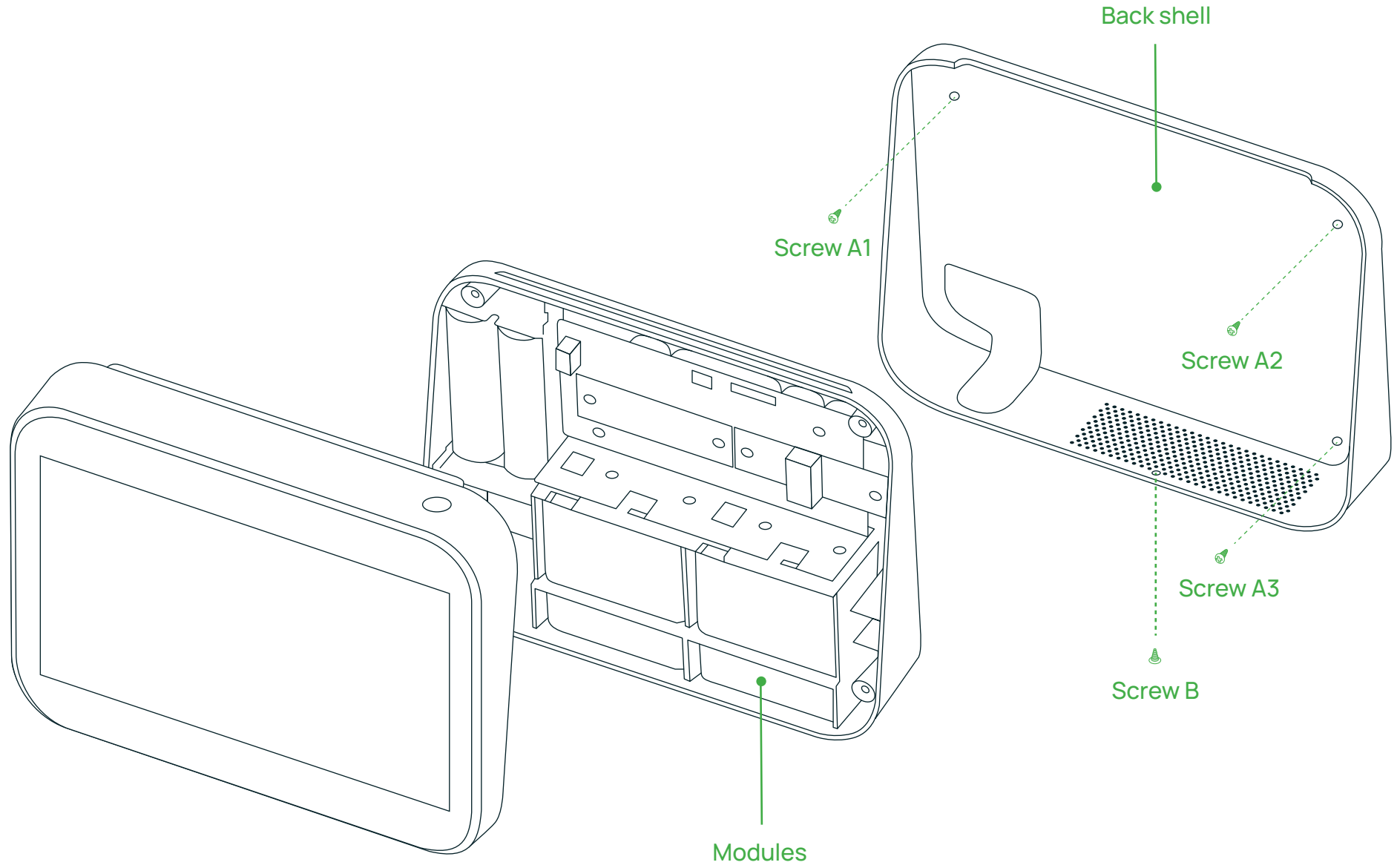
Power

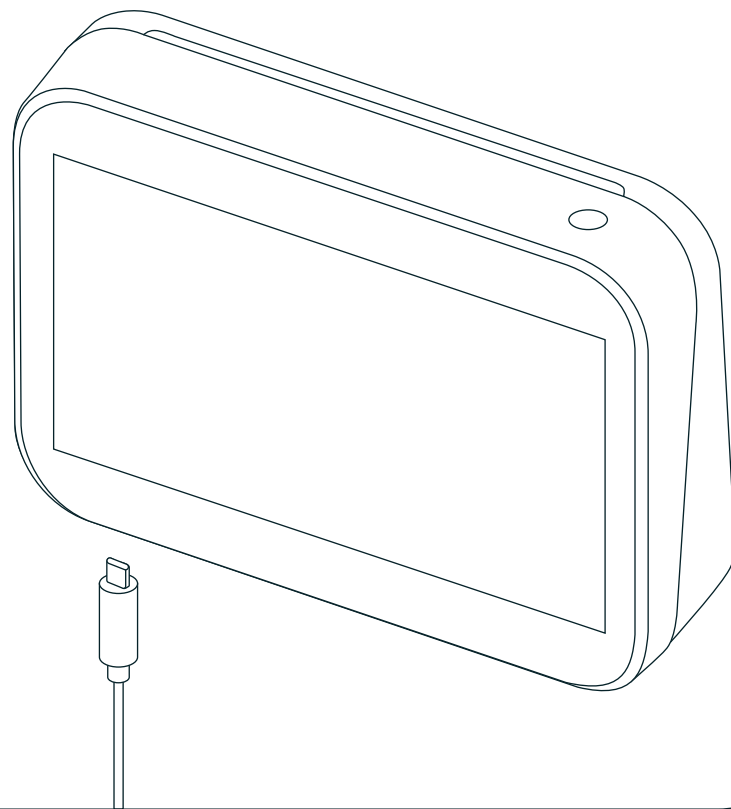
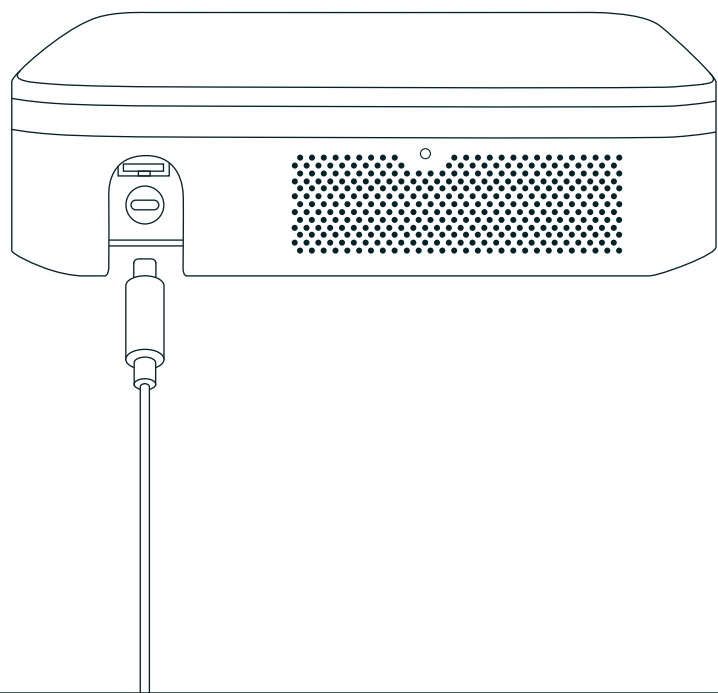
18.2 cm

3.7 cm

14.0 cm

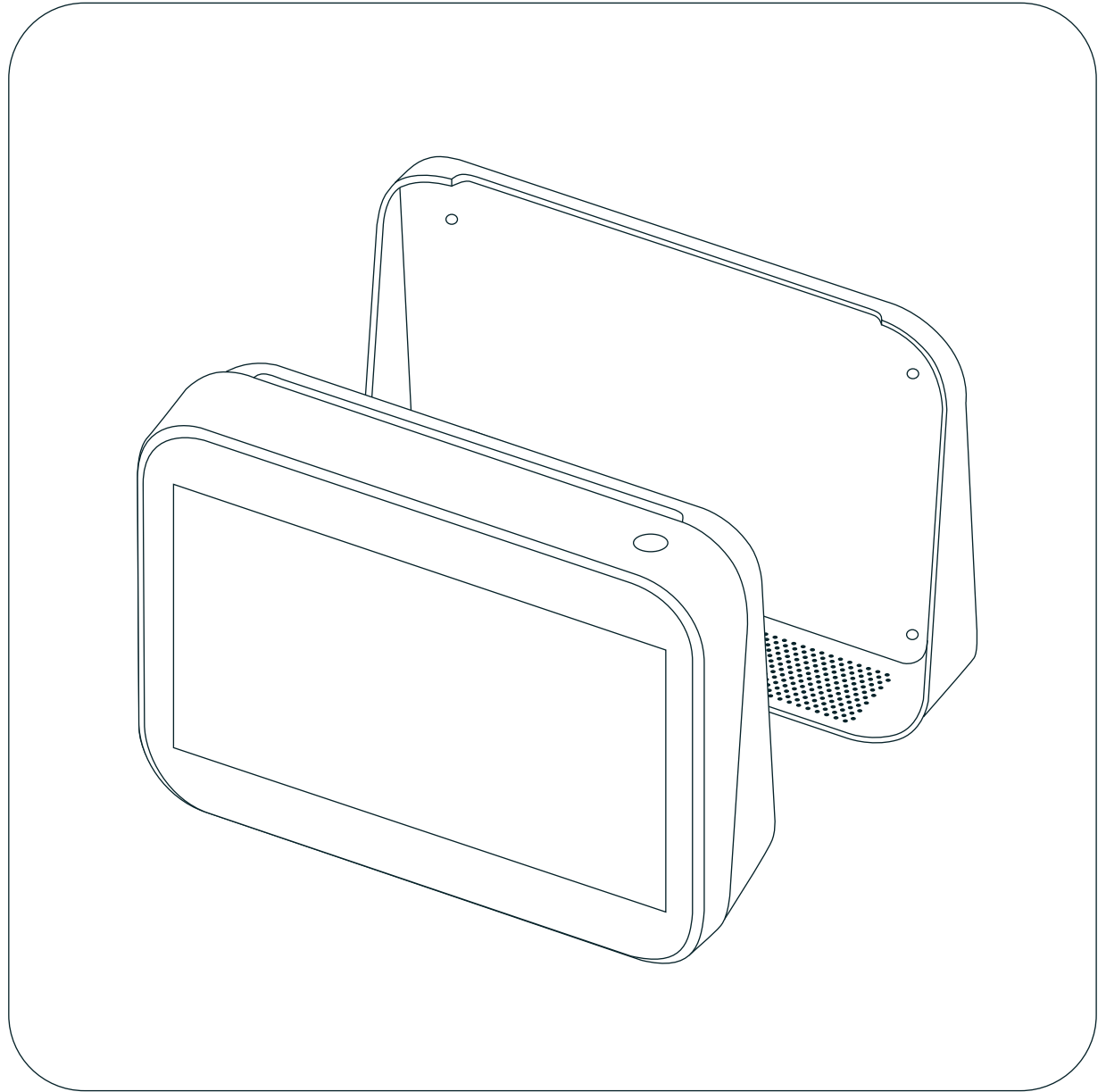
4.8 cm





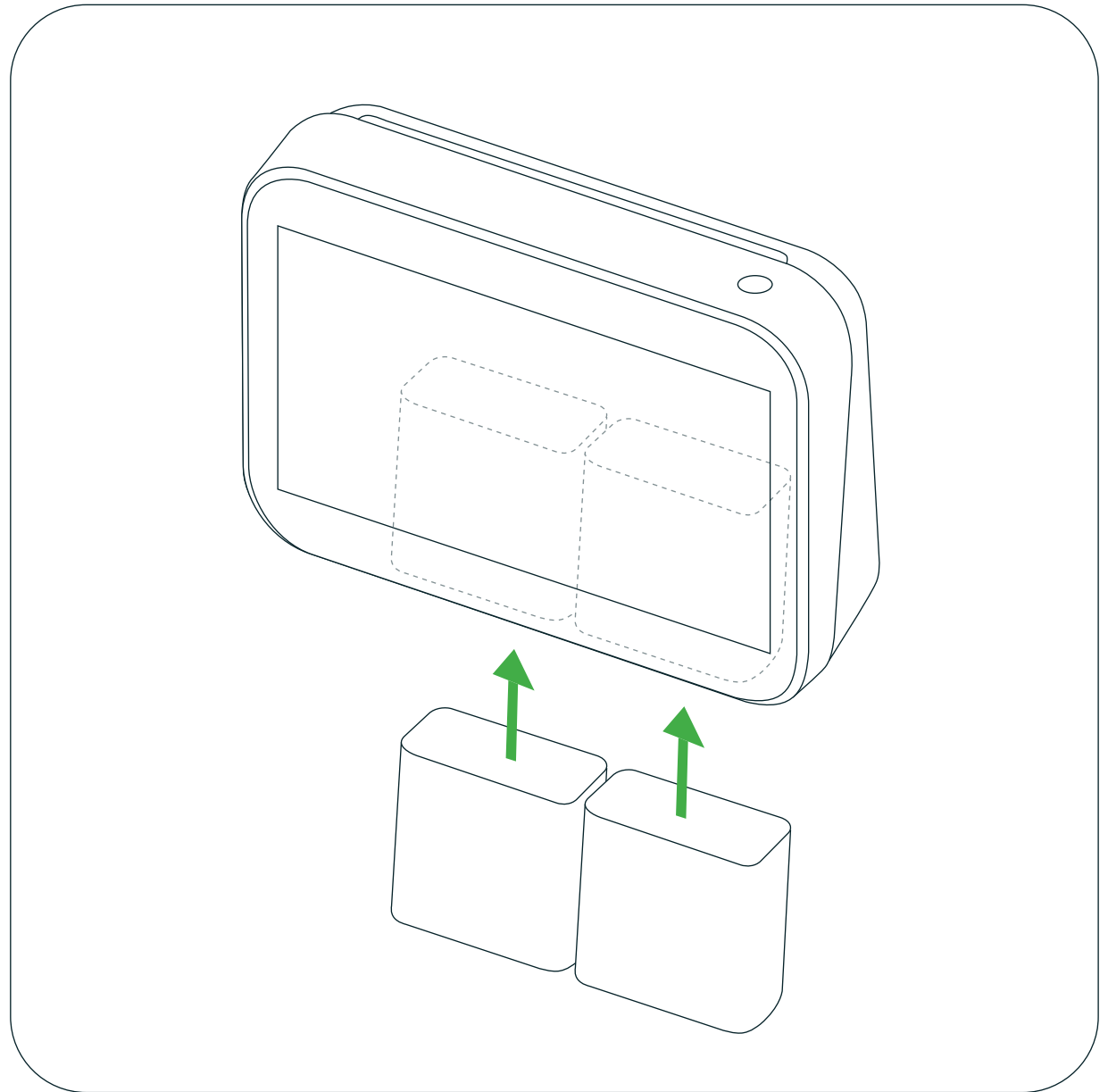
Step 1

Separate the
body from
the back shell.



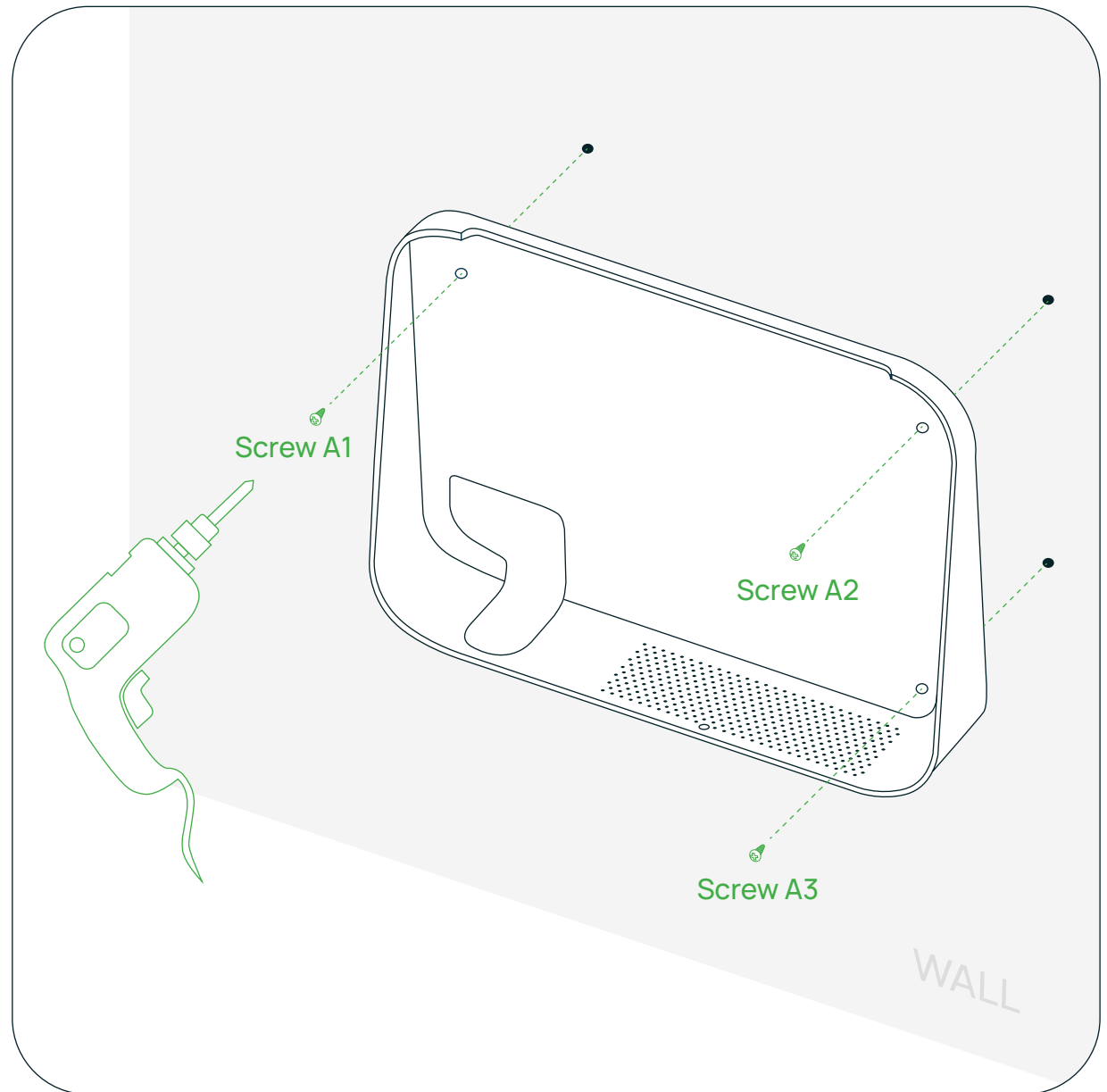
Step 2

Insert the
modules securely.



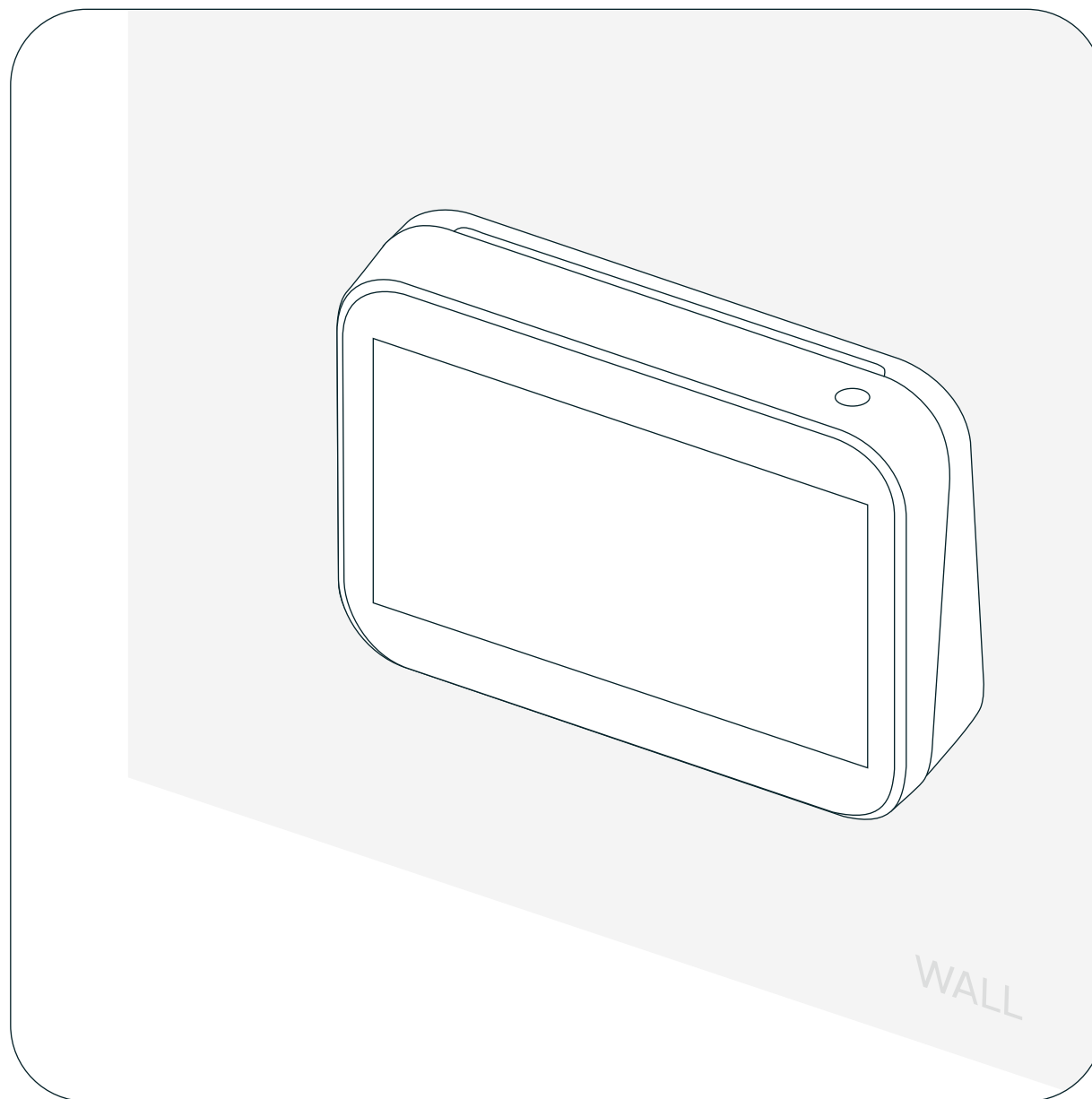
Step 3

Drill the holes and secure the back shell to the wall.



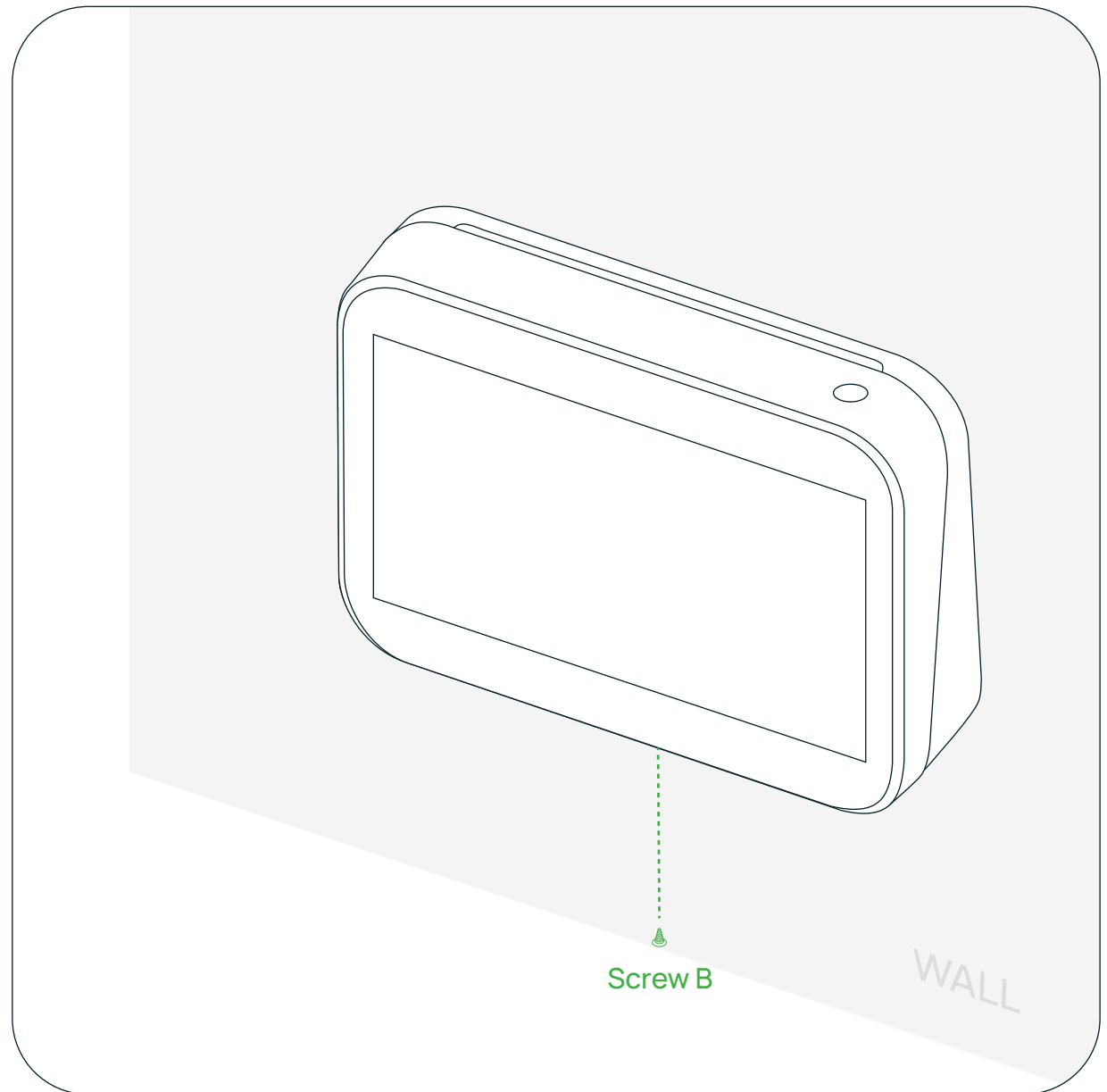
Step 4

Fit the product
on the wall.



Step 5

Use Screw B to secure the unit to the back shell.



Step 6

Plug in the cable,
turn on the
power and test.

